

Assembly locations

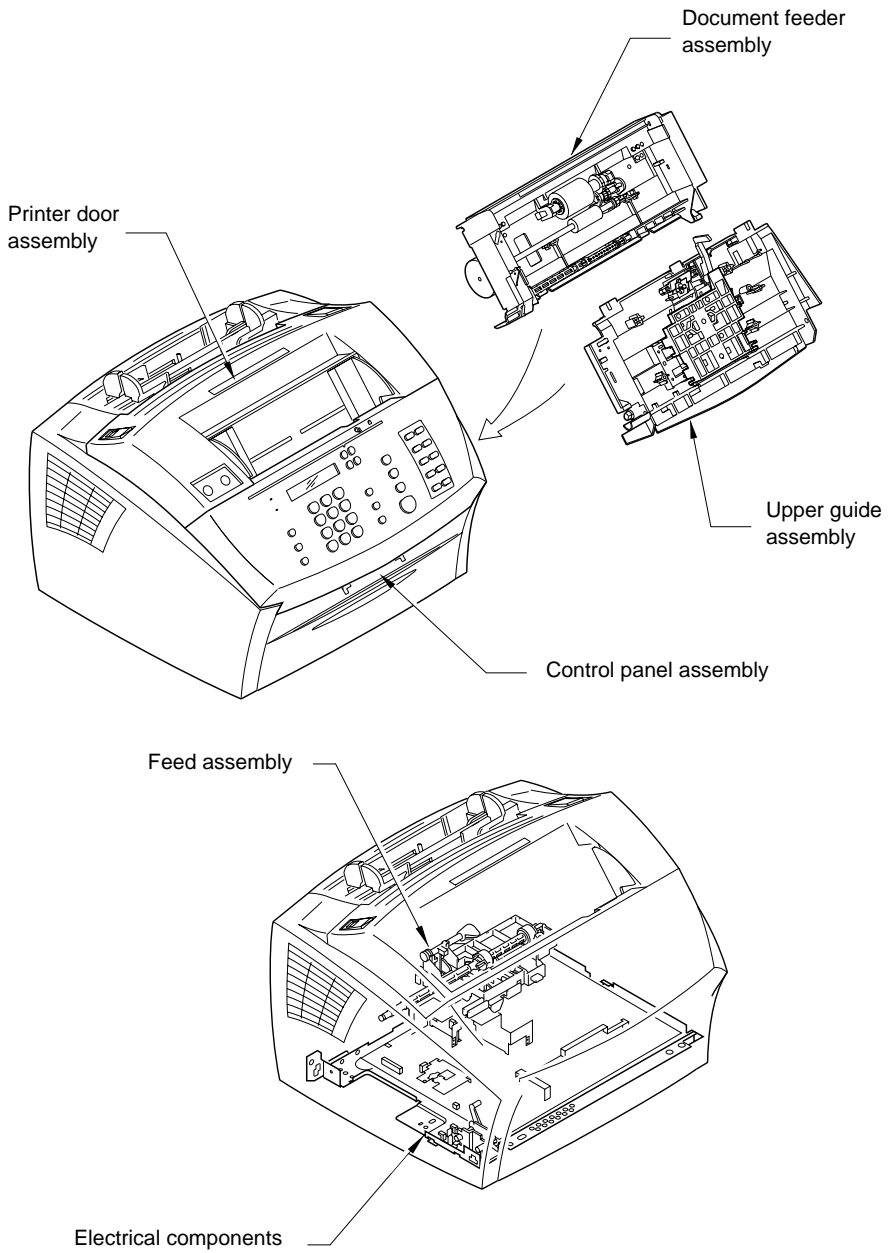


Figure 83. Assembly locations

Covers

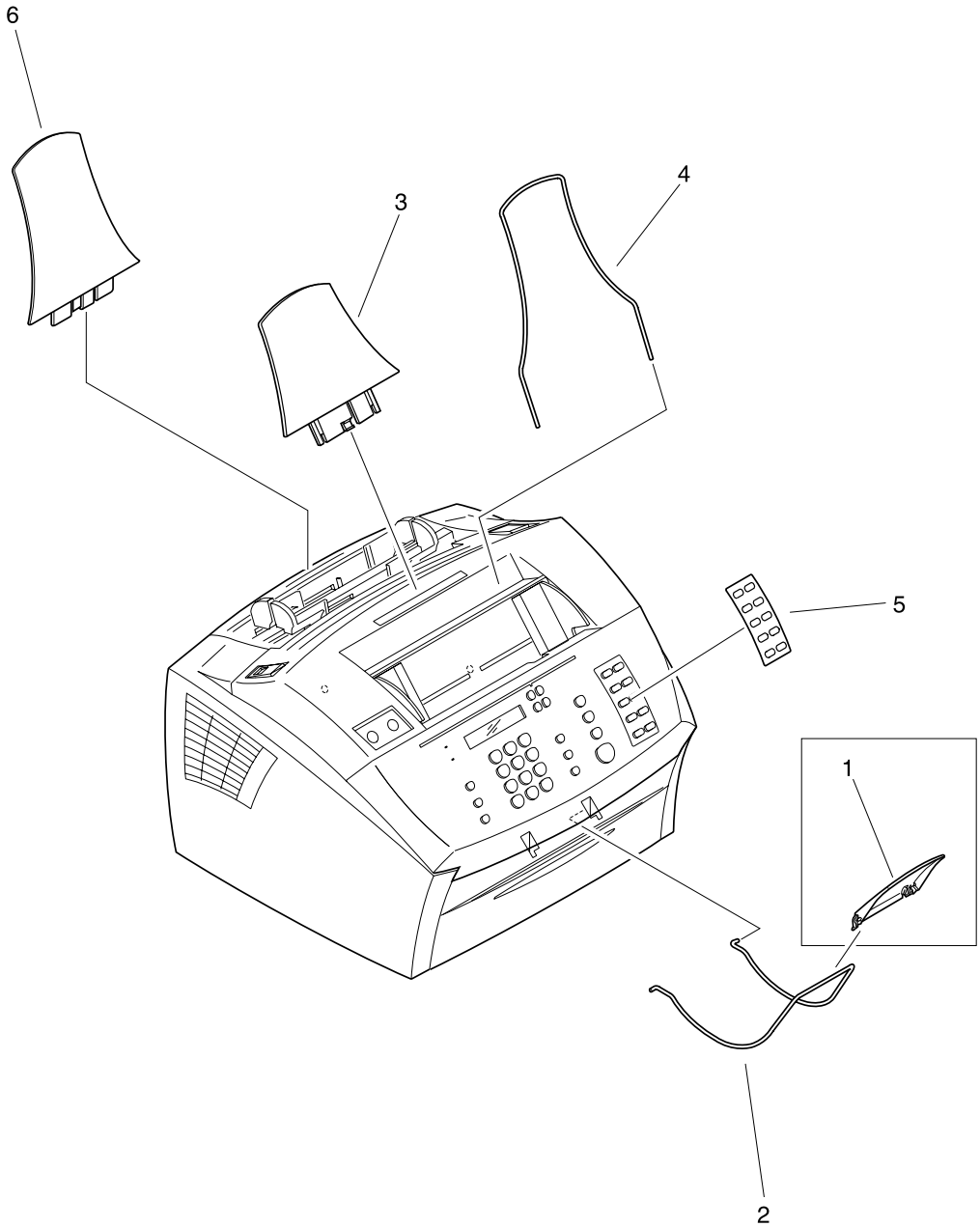


Figure 84. Trays and bins

Trays and bins

Table 23. Trays and bins

Reference	Part number	Description
1	RB2-5407-000CN	Support extension, document output
2	RB2-5412-000CN	Support, document output
3	RB2-5423-000CN	Support, paper output
4	RB2-5437-000CN	Support, document feeder
5	RB2-5471-000CN	Overlay (speed-dial template)
6	RB2-5493-000CN	Support, paper input

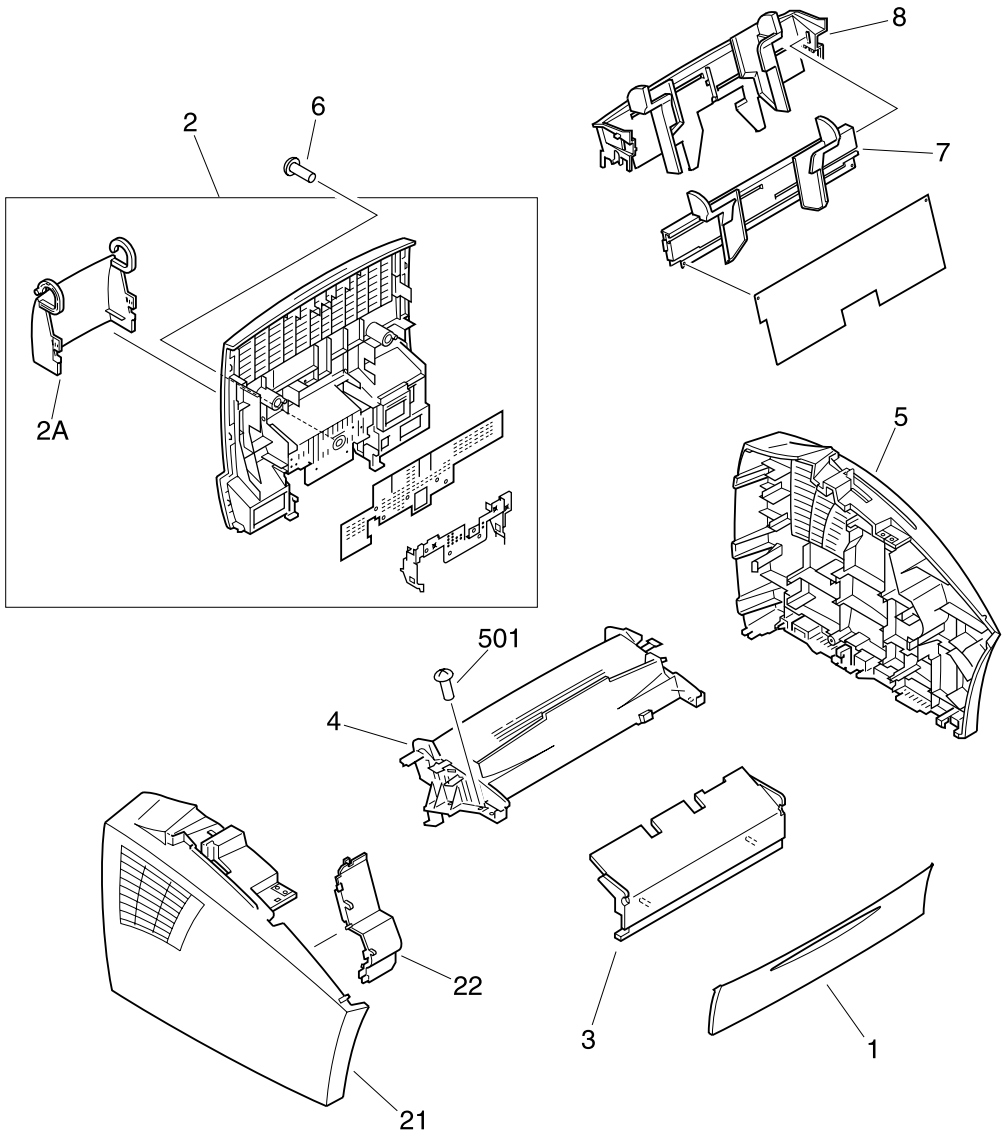


Figure 85. External covers and panels

External covers and panels

Table 24. External covers and panels

Reference	Part number	Description
1	RB2-5434-000CN	Cover, face-up
2	RF5-3232-000CN	Cover, rear
2A	RB2-5485-000CN	Cover, DIMM
3	RB2-5488-000CN	Cover, front
4	RB2-5489-000CN	Cover, top
5	RB2-5490-000CN	Cover, right
6	XA9-0302-000CN	Screw, TP, M3x8
7	RG5-4601-020CN	Single-sheet input tray assembly
8	RG5-5391-000CN	Paper input tray assembly
21	RB2-5491-000CN	Cover, left
22	RB2-5498-000CN	Cover, blanking
501	XB4-7401-209CN	Screw, tapping, truss head, M4X12

Document scanner assemblies

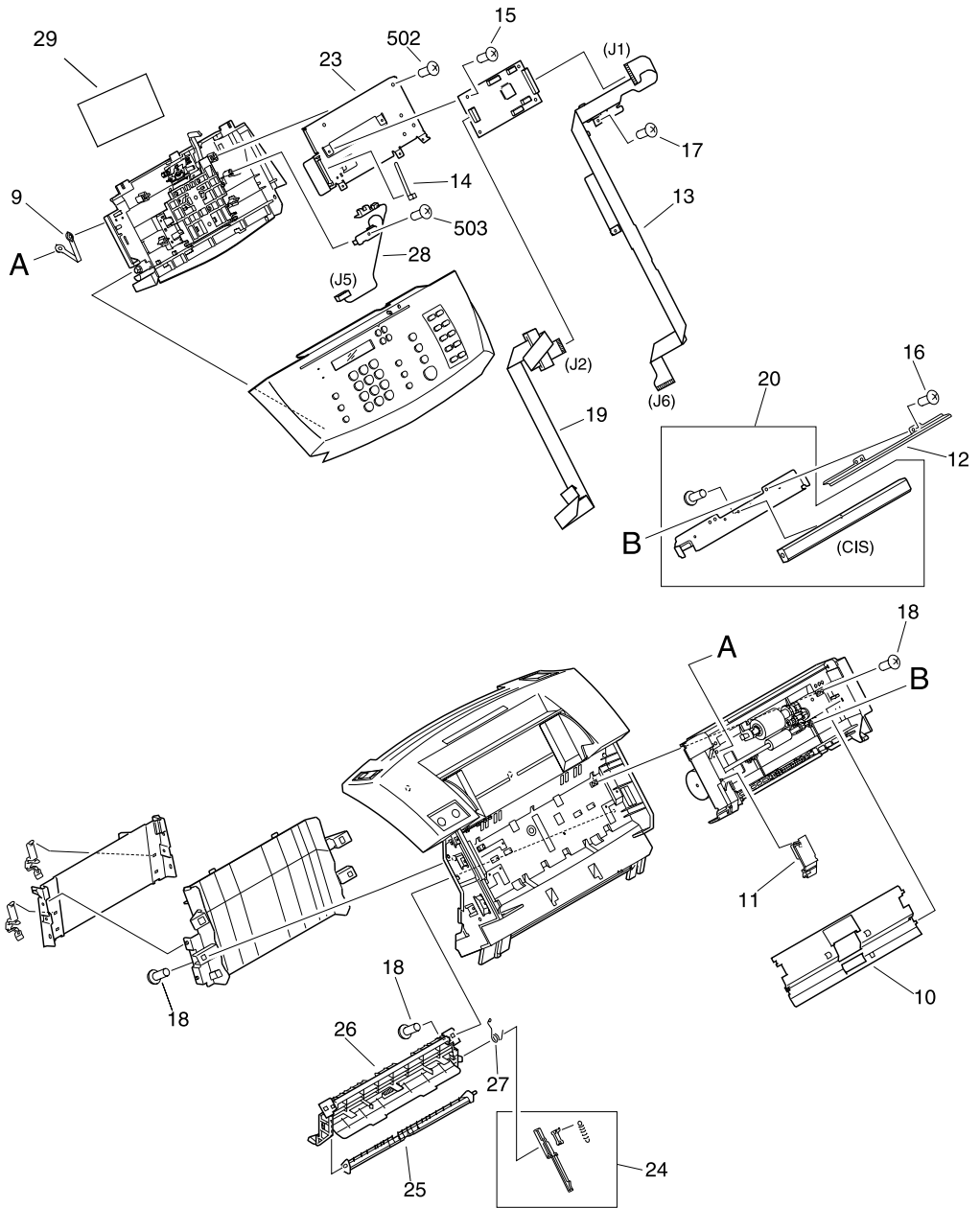


Figure 86. Document scanner assemblies

Document scanner assemblies

Table 25. Document scanner assemblies

Reference	Part number	Description
9	RB2-3354-000CN	Strap, plastic
10	RB2-5405-000CN	Guide, document scanner
11	RB2-5406-000CN	Cover, cable
12	RB2-5410-000CN	Cover, contact image sensor
13	RF5-3236-000CN	Cable, flat
14	WT2-0307-000CN	Cable tie
15	XA9-0267-000CN	Screw, TP, M3X6
16	XA9-0591-000CN	Screw, M3X8
17	XA9-0779-000CN	Screw, w/washer, M3X6
18	XA9-0870-000CN	Screw, M4X10
19	RG5-5405-000CN	Cable, flat
20	RG5-5410-000CN	Contact image sensor assembly
22	RB2-5498-000CN	Cover, blanking
23	RB2-5388-000CN	Plate, shield
24	RG5-5412-000CN	Deflector link assembly
25	RB2-4006-000CN	Deflector
26	RB2-5421-000CN	Guide, paper delivery
27	RS6-2276-000CN	Spring, torsion
28	RG5-5464-000CN	Image scanner sensor, PCB assembly
29	C4262A	Control panel PCB
502	XB4-7401-007CN	Screw, tapping, pan head, M4X10
503	XB4-7300-807CN	Screw, tapping, truss, head, M3X8

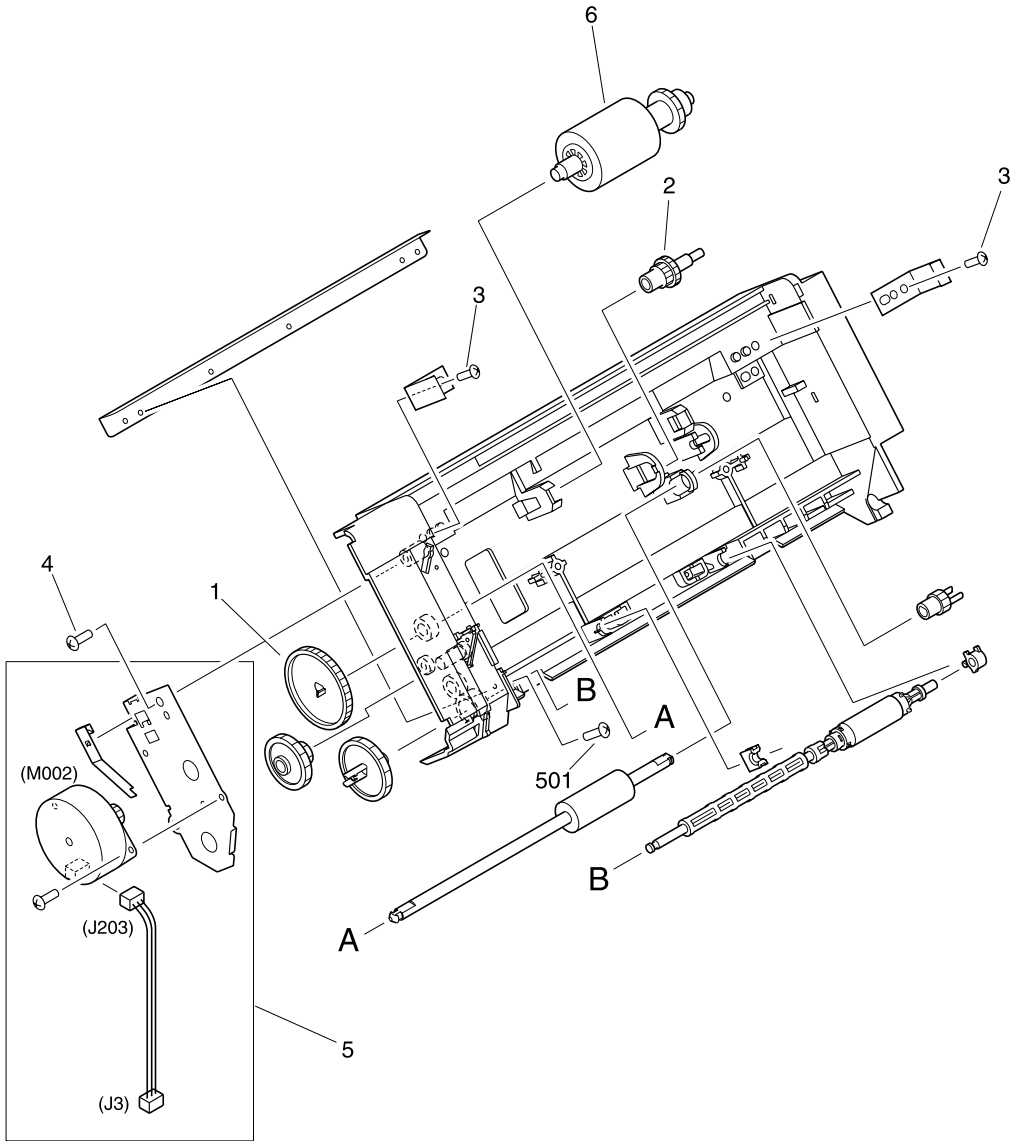


Figure 87. Document feeder

Document feeder

Table 26. Document feeder

Reference	Part number	Description
1	HS5-0250-000CN	Gear, 82T
2	HS5-0253-000CN	Gear, 21T/28T
3	XA9-0591-000CN	Screw, M3X8
4	XA9-0870-000CN	Screw, M4X10
5	RG5-5400-000CN	Motor assembly
6	RG5-5401-000CN	Pickup roller assembly
501	XB2-8301-007CN	Screw, w/washer, M3X10

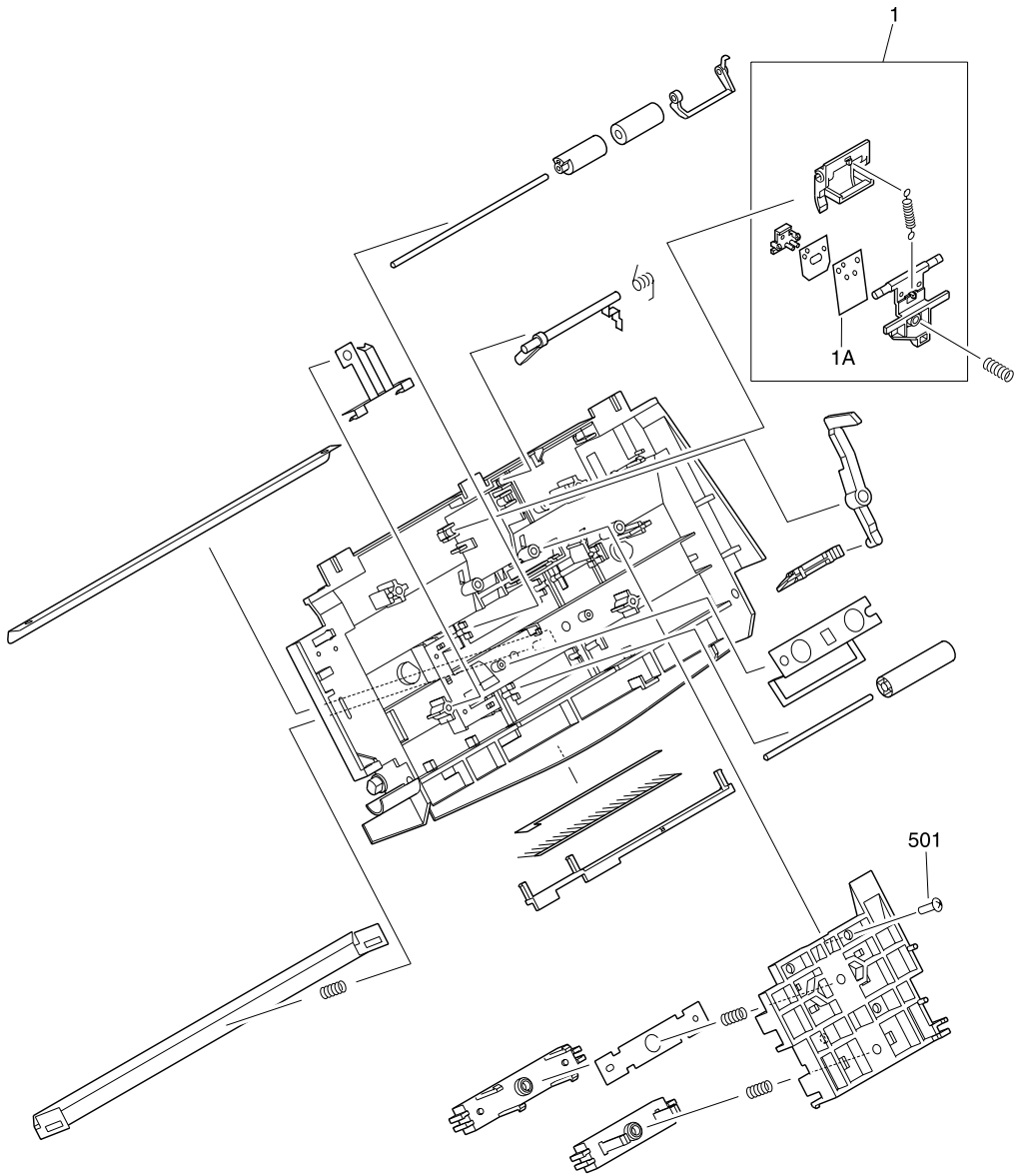


Figure 88. Upper guide assembly

Upper guide assembly

Table 27. Upper guide assembly

Reference	Part number	Description
1	RG5-5404-000CN	Separation assembly
1A	HB1-3035-000CN	Separation pad
501	XB4-7401-007CN	Screw, tapping, pan head, M4X10

Internal assemblies

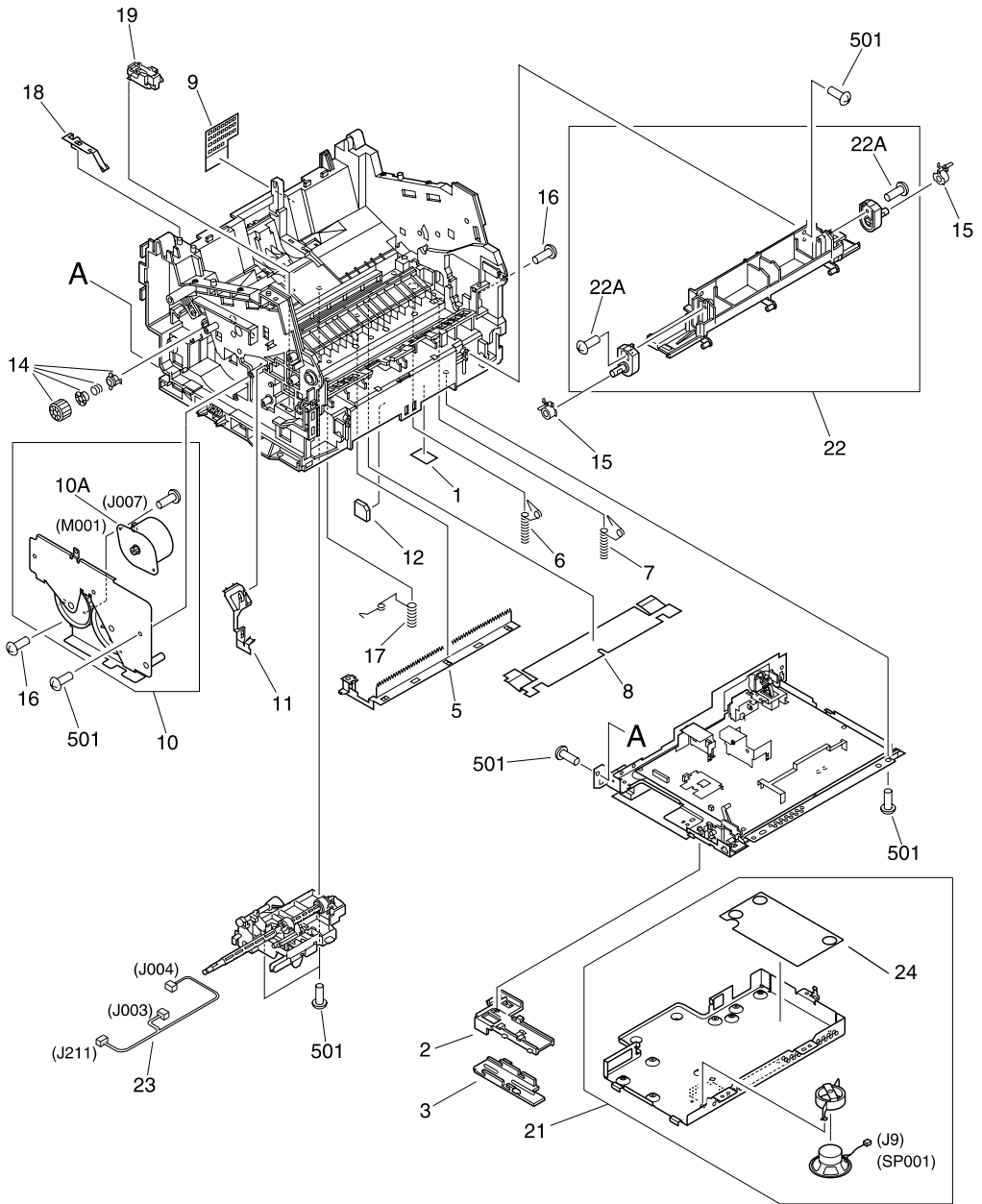


Figure 89. Internal components (1 of 4)

Internal components (1 of 4)

Table 28. Internal components (1 of 4)

Reference	Part number	Description
1	RB2-4324-000CN	Sheet
2	RB2-4017-000CN	Cable holder
3	RB2-4030-000CN	Scanner cable cover
5	RB2-3951-000CN	Static charge eliminator
6	RB2-3952-000CN	Spring, torsion
7	RB2-3953-000CN	Spring, torsion
8	RB2-4054-000CN	Sheet, transfer
9	RB2-4055-000CN	Safety cover
10	RG5-4586-000CN	Drive assembly
10A	RH7-1404-000CN	Motor, stepping
11	RB2-3959-000CN	Spring, leaf, left
12	RB2-4329-000CN	Seal, frame, 2
14	RY7-5051-000CN	Clutch kit
15	RB2-5497-000CN	Hinge clip
16	XA9-0779-000CN	Screw, w/washer, M3X6
17	RB2-4042-000CN	Spring, torsion
18	RB9-0538-000CN	Plate, grounding
19	RF5-2880-000CN	Holder, fixing
21	RG5-5393-000CN	Formatter case assembly
22	RG5-5392-000CN	Hinge support assembly
22A	XB4-7401-007CN	Screw, tapping, pan head, M4X10
23	RG5-4617-000CN	Sensor cable
24	C7052-60004	Line interface unit (LIU)
	C4261A	Formatter (not pictured; see figure 64 on page 138)
501	XB4-7401-007CN	Screw, tapping, pan head, M4X10

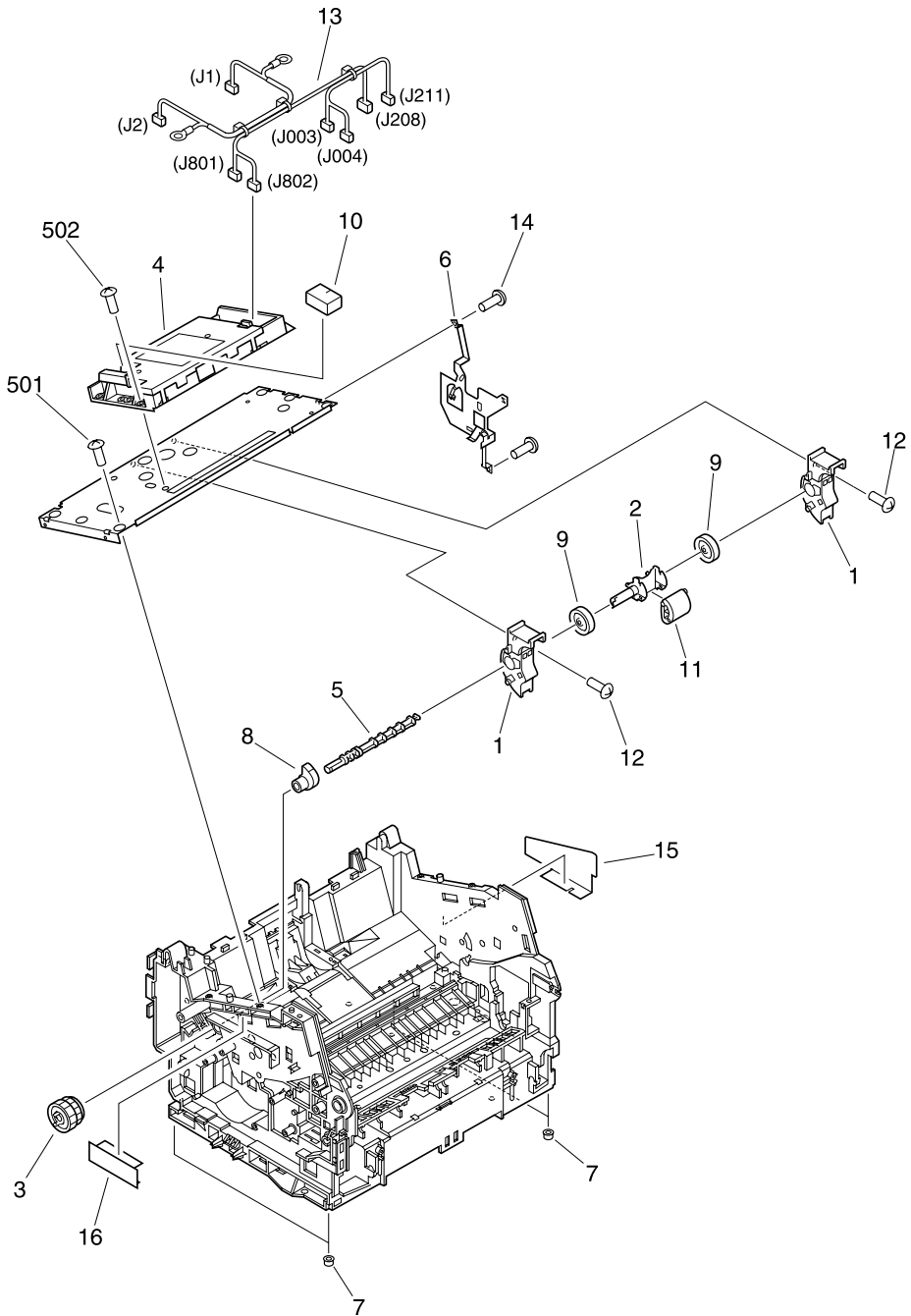


Figure 90. Internal components (2 of 4)

Internal components (2 of 4)

Table 29. Internal components (2 of 4)

Reference	Part number	Description
1	RG5-4584-000CN	Roller holder assembly
2	RB2-3930-000CN	Shaft, pickup roller
3	RG5-4585-020CN	Gear assembly
4	RG5-5421-000CN	Laser/scanner assembly
5	RB2-3943-000CN	Shaft
6	RB2-3944-000CN	Spring, leaf
7	RB2-3945-000CN	Foot
8	RB2-3949-000CN	Cam
9	RB2-3931-000CN	Roller
10	RB2-3904-000CN	Cover, foamy
11	RB2-4026-000CN	Roller, pickup
12	XA9-0267-000CN	Screw, TP, M3X6
13	RG5-5415-000CN	Scanner cable
14	XA9-0653-000CN	Screw, w/star washer, M3X6
15	RB2-5501-000CN	Sheet, light-blocking
16	RB2-5500-000CN	Sheet, light-blocking
501	XB4-7401-007CN	Screw
502	XB6-7300-807CN	Screw

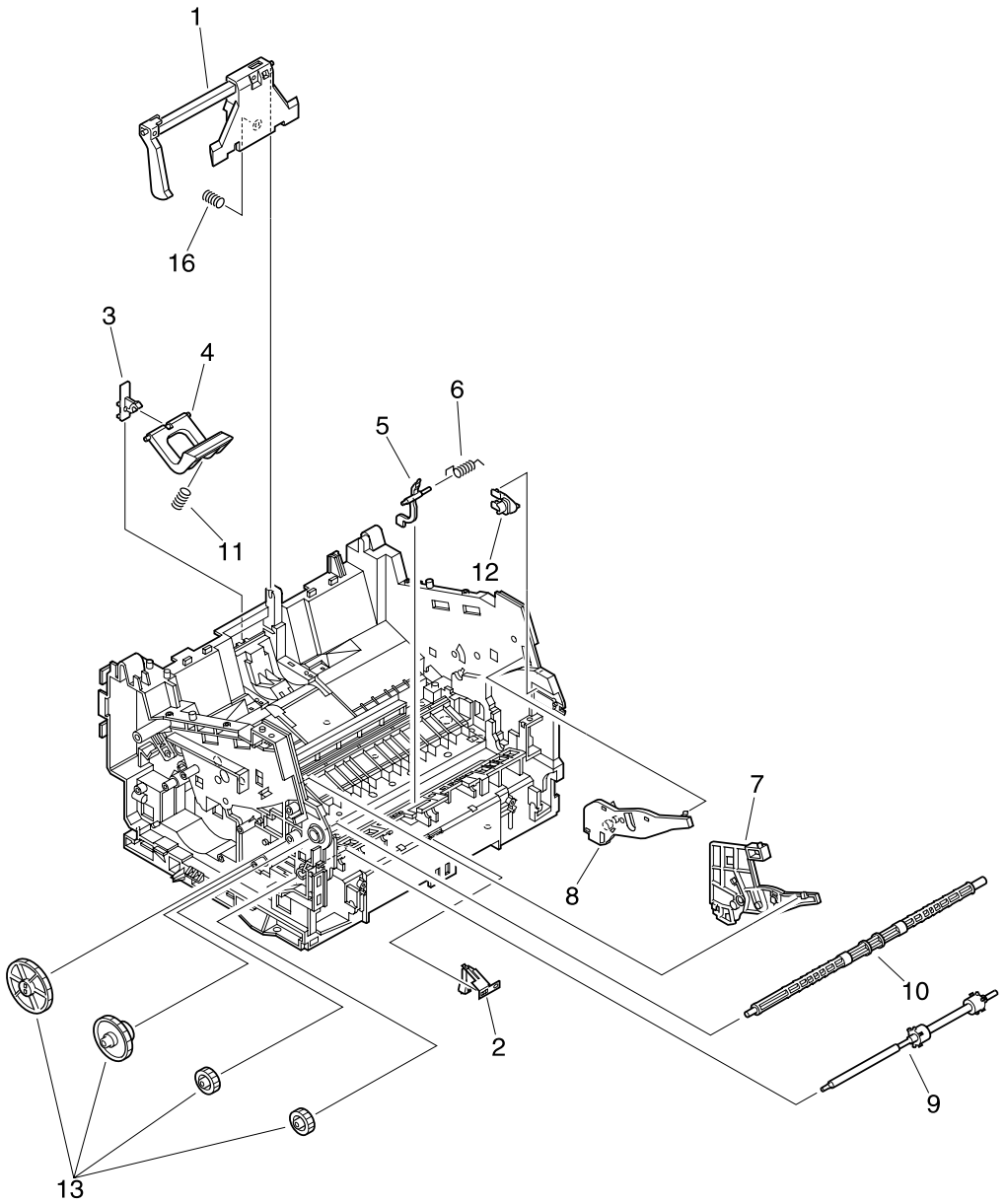


Figure 91. Internal components (3 of 4)

Internal components (3 of 4)

Table 30. Internal components (3 of 4)

Reference	Part number	Description
1	RG5-4582-060CN	Paper guide plate assembly
2	RB2-4219-000CN	Plate, grounding
3	RB2-3947-000CN	Holder, pad
4	RF5-2832-000CN	Arm, pad
5	RB2-3960-000CN	Flag, sensor
6	RB2-3961-000CN	Spring, torsion
7	RF5-2818-000CN	Guide, cartridge, left
8	RF5-2819-000CN	Guide, cartridge, right
9	RF5-2822-000CN	Roller, face-up
10	RF5-2830-000CN	Roller, face-down
11	RS5-2502-000CN	Spring, compression
12	RB2-4016-020CN	Stop, slide
13	RY7-5049-000CN	Gear kit
16	RS6-2122-000CN	Spring, compression

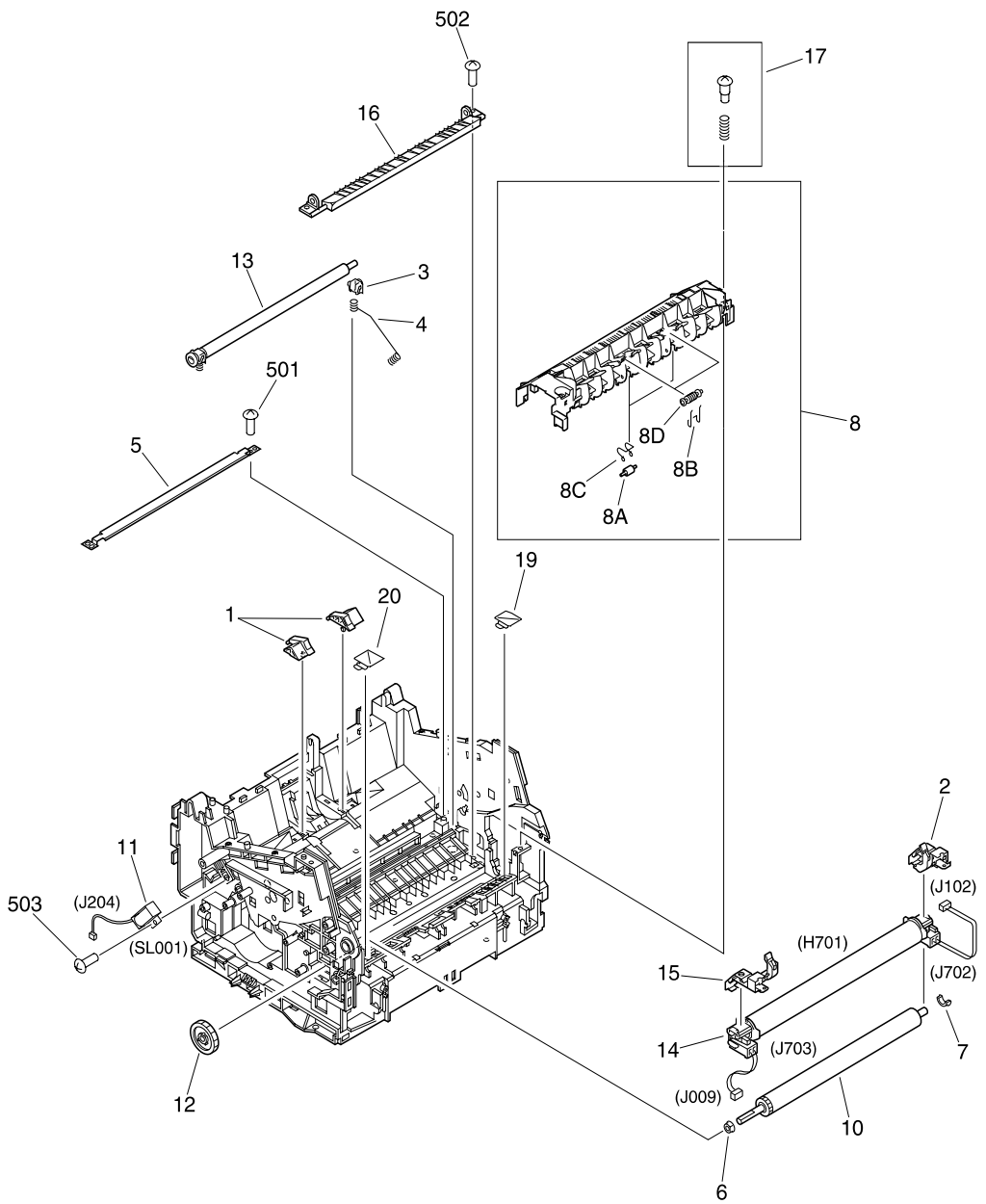


Figure 92. Internal components (4 of 4)

Internal components (4 of 4)

Table 31. Internal components (4 of 4)

Reference	Part number	Description
1	RY7-5050-020CN	Subpad kit (includes left and right)
2	RG5-5388-000CN	Metal clip, fusing element (right)
3	RB2-3939-020CN	Bushing, right
4	RB2-3940-000CN	Spring, compression
5	RB2-3950-000CN	Guide, transfer
6	RB2-3956-000CN	Bushing, left
7	RB2-3957-060CN	Bushing, right
8	RG5-4593-000CN	Delivery assembly
8A	RB2-4222-000CN	Roller, face up
8B	RB1-7286-000CN	Spring, wire
8C	RB1-7287-000CN	Spring, wire
8D	RB2-4223-000CN	Roller, face down
10	RF5-2823-020CN	Roller, pressure
11	RH7-5227-000CN	Solenoid
12	Part of gear kit, part number RY7-5049-000CN on page 221.	
13	RG5-4657-020CN	Transfer assembly
14	RG5-4589-040CN	Fusing element
15	RG5-5387-000CN	Metal clip, fusing element (left)
16	RB2-3958-030CN	Guide, fusing element
17	RY7-5060-000CN	Screw kit, delivery assembly
19	RB2-4432-000CN	Sub guide, right
20	RB2-4431-000CN	Sub guide, left
501	XB4-7400-805CN	Screw, tapping, truss head, M4x
502	XB4-7401-209CN	Screw, tapping, truss head, M4x12
503	XB4-7401-007CN	Screw, tapping, pan head, M4X10

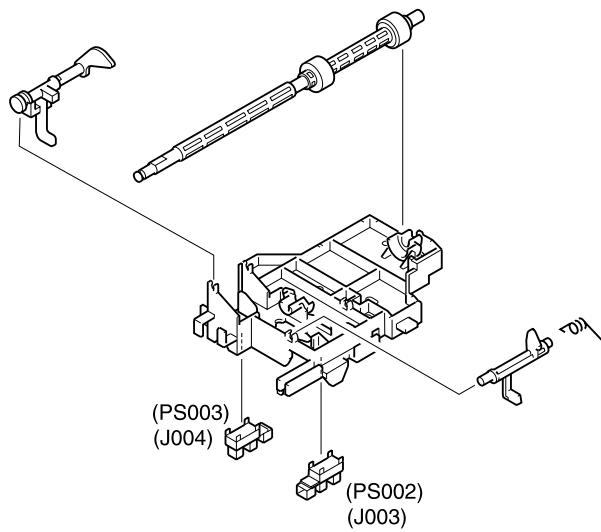


Figure 93. Feeder assembly

Feeder assembly

Table 32. Feeder assembly

Reference	Part number	Description
	RG5-4581-000CN	Feeder assembly

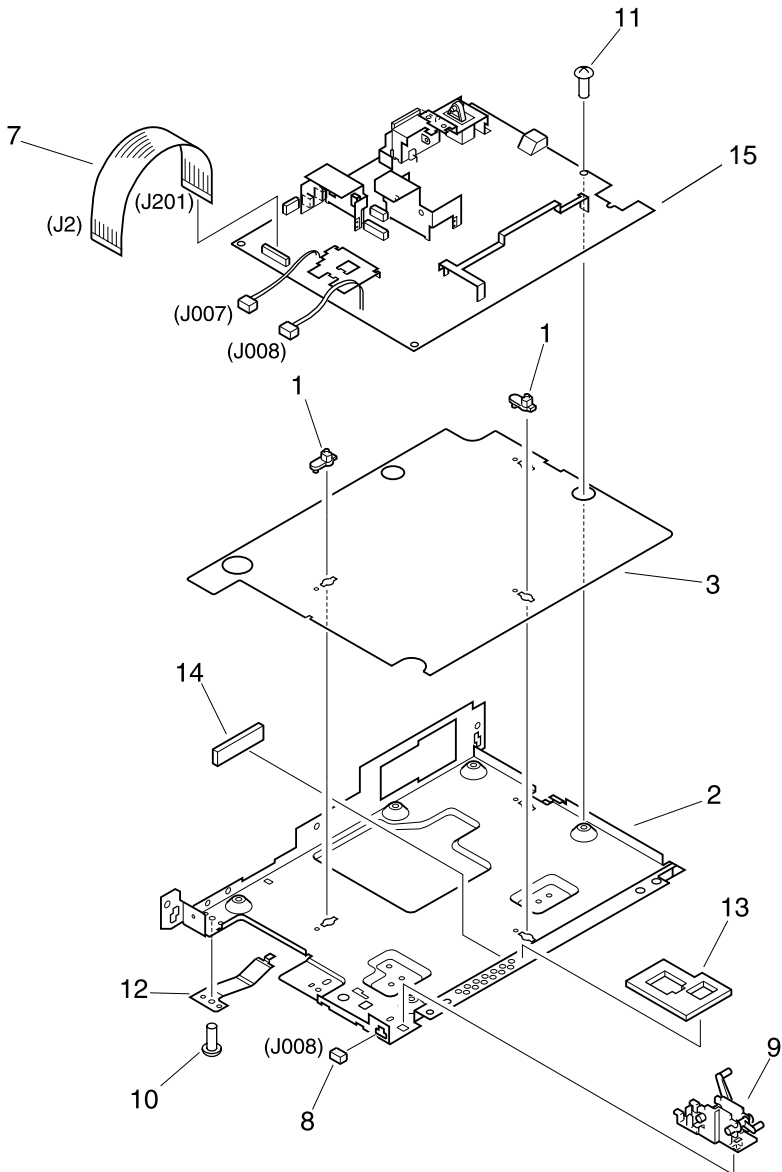


Figure 94. Electrical components

Electrical components

Table 33. Electrical components

Reference	Part number	Description
1	RB1-7303-000CN	Spacer
2	RB2-3984-000CN	ECU pan
3	RB2-3985-000CN	Sheet, insulating
7	RH2-5381-000CN	Cable, flat
8	VS1-5057-002CN	Connector, 2P
9	RG5-4599-030CN	Door sensor assembly
10	XA9-0653-000CN	Screw, w/star washer, M3X6
11	XA9-0951-000CN	Screw, w/washer, M3X8
12	RB2-4049-000CN	Plate, grounding
13	RB2-4327-000CN	Seal, sensor, 1
14	RB2-4328-000CN	Seal, sensor, 2
15	RG5-5395-000CN	ECU